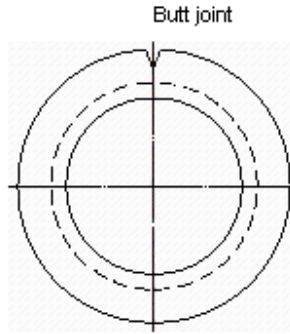
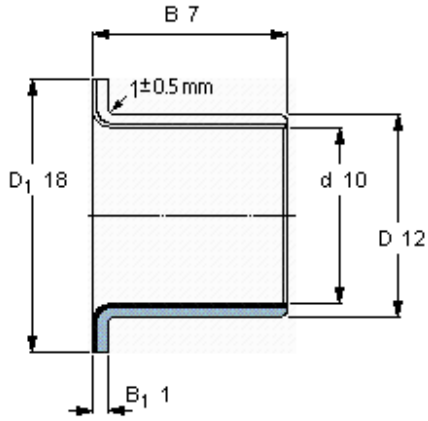


Composite dry sliding bushings, Composite dry sliding flanged bushings

| Principal dimensions |    |                |   |                | Basic load ratings |                       |                              |                       | Mass   | Designation   |
|----------------------|----|----------------|---|----------------|--------------------|-----------------------|------------------------------|-----------------------|--------|---------------|
| d                    | D  | D <sub>1</sub> | B | B <sub>1</sub> | radial dynamic C   | static C <sub>0</sub> | axial dynamic C <sub>a</sub> | static C <sub>0</sub> |        |               |
| mm                   |    |                |   |                | kN                 |                       |                              |                       | kg     | -             |
| <b>10</b>            | 12 | 18             | 7 | 1              | 4                  | 12,5                  | 8                            | 25                    | 0,0031 | PCMF 101207 E |



**Specific load factor**  
**Material constant**

K 80  
K<sub>M</sub> 480